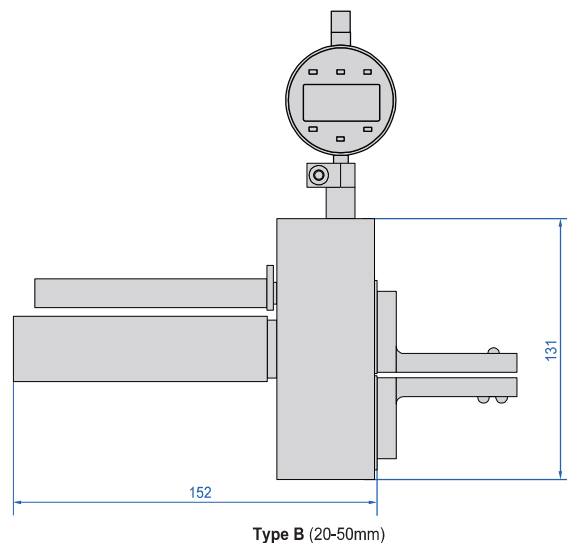
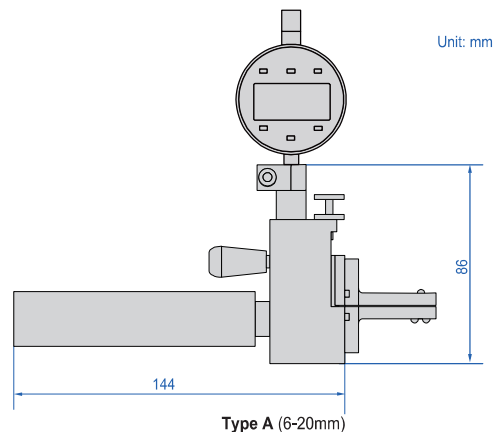
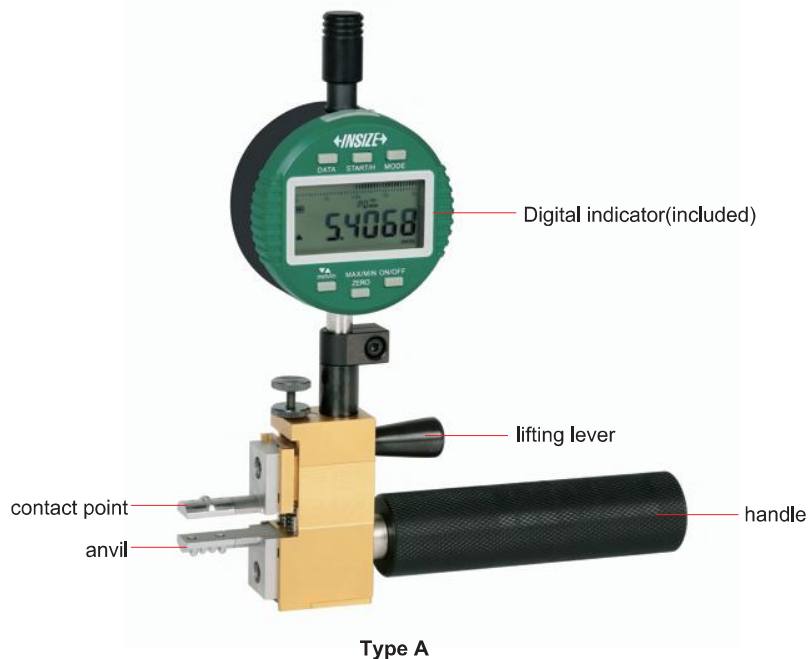


# BALL NUT PITCH CIRCLE DIAMETER COMPARATORS

PROBE AND CALIBRATION RING GAUGE  
NEED TO BE CUSTOMIZED ACCORDING TO WORKPIECE

DATA  
OUTPUT



- Measuring pitch circle diameter of ball nuts
- Probe and calibration ring gauge need to be customized according to workpiece
- Adjustable resolution: 0.0005mm/0.00002"  
0.001mm/0.00005"  
0.01mm/0.0005"
- Digital indicator with absolute encoder, the original data remains after power off
- Digital indicator button function: data output, tolerance, data preset, data hold, measuring direction change, max./min./TIR, power off time, on/off, mm/inch, resolution adjustment
- Digital indicator power: rechargeable battery, for 24 hours continuous working
- Optional accessory: wireless transmitter(code 7315-60, receiver is needed)

| Code        | Range   | Contact point opening range | Effective stroke of anvil | Accuracy* | Repeatability |
|-------------|---------|-----------------------------|---------------------------|-----------|---------------|
| 2678-A□□□□□ | 6-20mm  | 6mm                         | 0.1mm                     | 0.005mm   | 0.002mm       |
| 2678-B□□□□□ | 20-50mm | 15mm                        | 0.1mm                     | 0.005mm   | 0.002mm       |

\*Within the effective stroke of the anvil, the accuracy meets 0.005mm

Code examples:

| Code       | Pitch circle diameter to be measured |
|------------|--------------------------------------|
| 2678-A12D3 | 12.3mm                               |
| 2678-B28D5 | 28.5mm                               |

Attention: "D"stands for "."